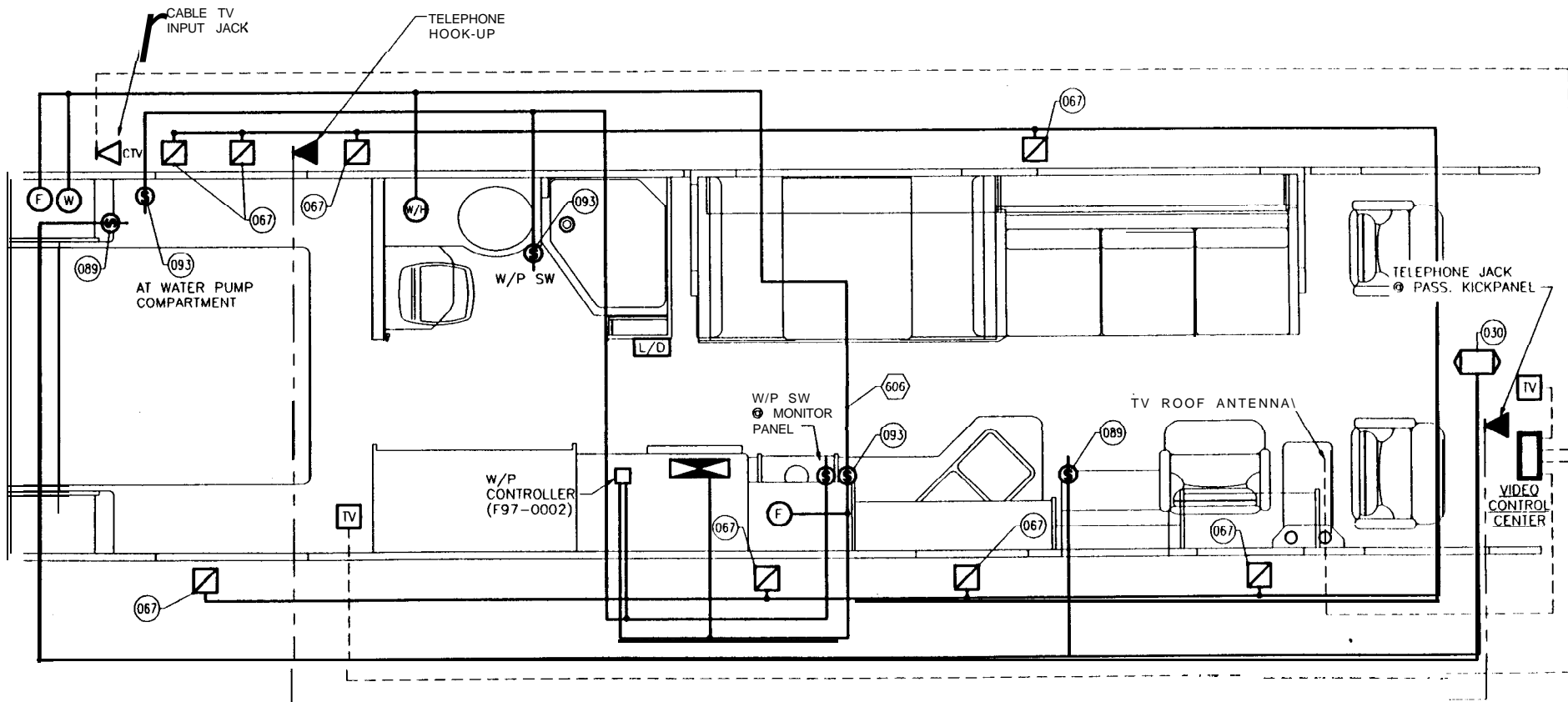


D.C. RELEASE	DESCRIPTION	DATE	BY	SCALE: 1/2" = 1'-0"	USED OR	FLEETWOOD PAGE NO. 721-19-00219 RECREATIONAL VEHICLE GROUP SHEET 3 OF 3 ELECTRICAL MISCELLANEOUS
				DRAWN: Brian T. DATE: 04-28-98		
99-01		04-28-98	BT	PROJECT: 99721301REF PLOT: 04/28/98 11:14:09 01tuckeb	AUX INFO	

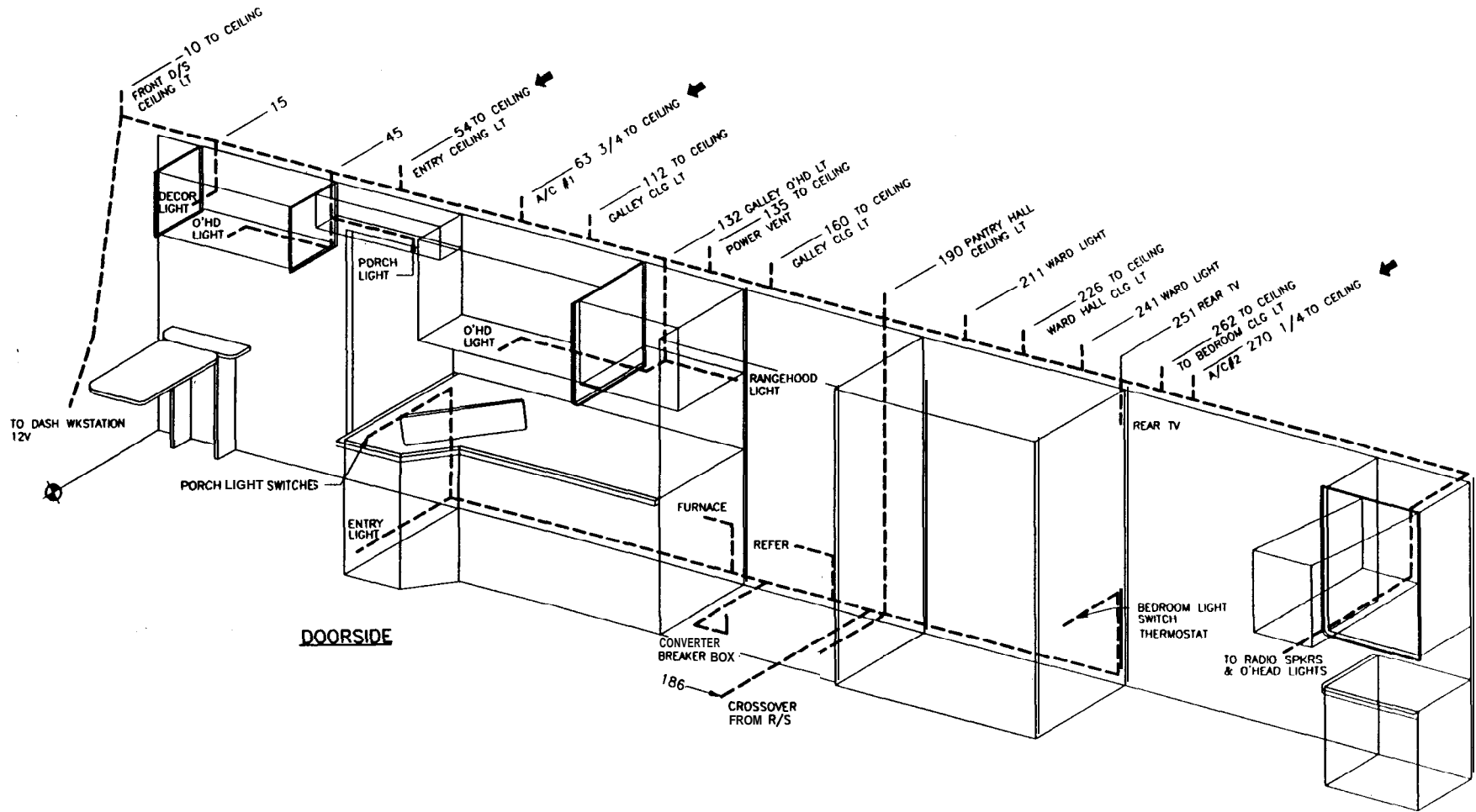


12 VOLT CIRCUITS

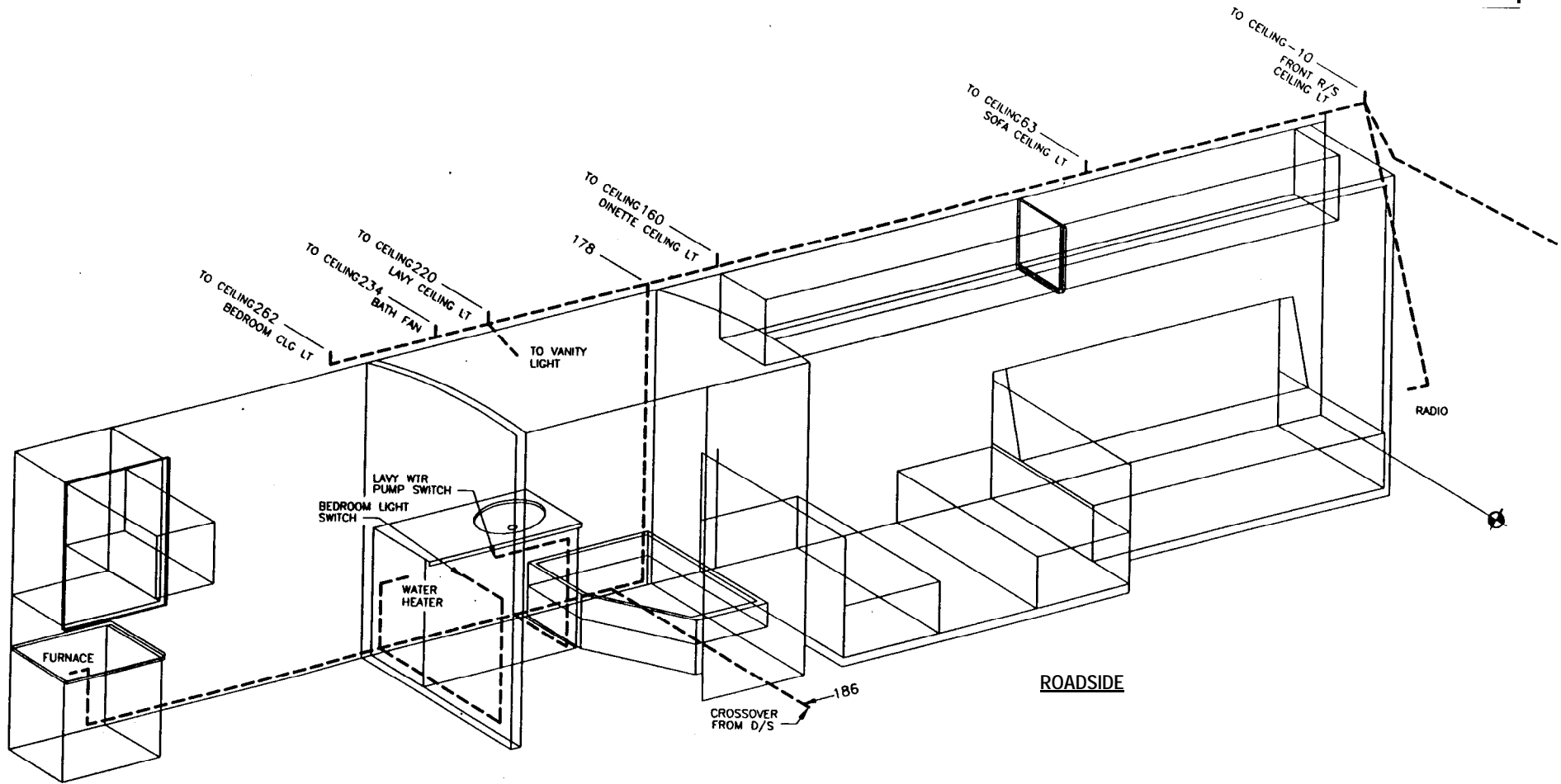
- 12V WIRING
- - - - - COAX CABLE
- · - · - TELEPHONE WIRE

2.37

D.C. RELEASE	DESCRIPTION	DATE	BY	SCALE: 3/8" = 1'-0"	USED ON:	FLEETWOOD PAGE NO. 721-19-95919 RECREATIONAL VEHICLE GROUP SHEET 1 OF 5
				DRAWN: Brian T. DATE: 03-24-98		
99-00		04-02-98	B T	PROJECT: 99721302		TITLE: HARNESS ROUTING DIAGRAM 12V INTERIOR
99-02		06-05-98	DP	PLOT: 06/05/98 13:55:34 01 penad	AUX. INFO.	

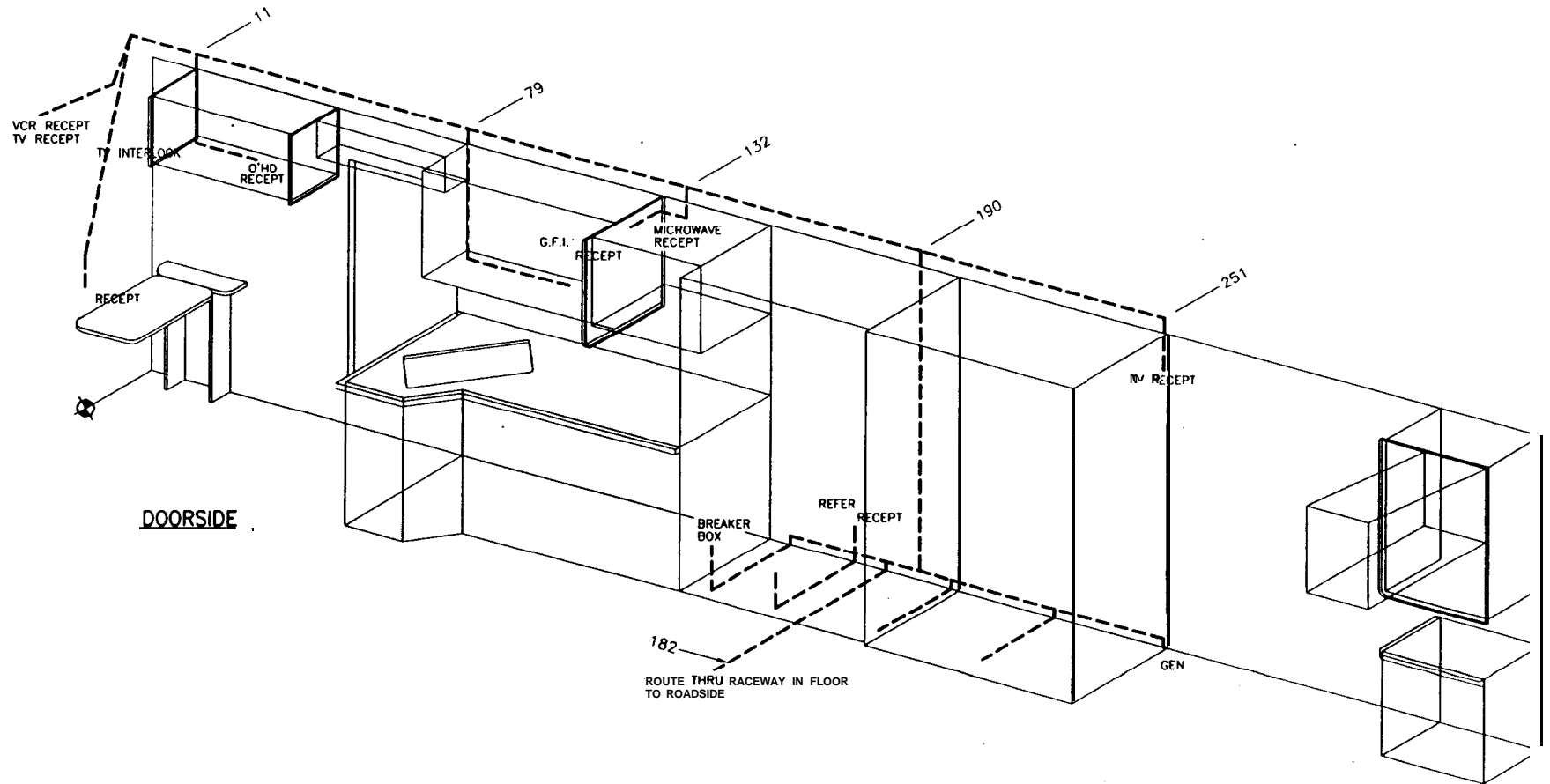


D.C. RELEASE	DESCRIPTION	DATE	BY	SCALE: 3/8" = 1'-0"	USED ON:	FLEETWOOD PAGE NO. 721-19-95919
				03-24-98		
				PROJECT: 99721300		TITLE HARNESS ROUTING DIAGRAM
99-00		04-02-98	BT	PLOT: 04/02/98 15:25:30 01 tuckeb	AUX INFO	12V INTERIOR

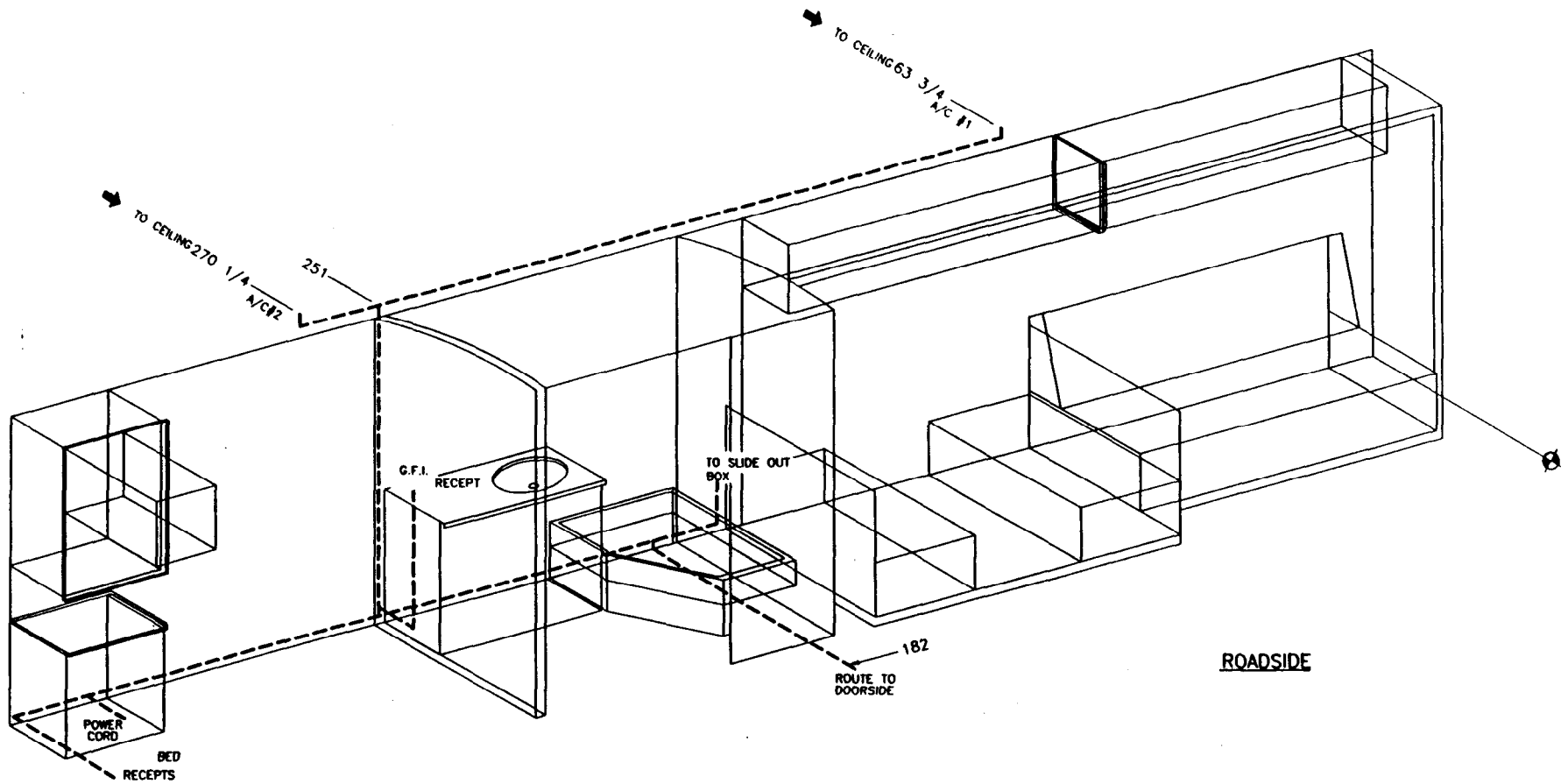


2.39

D.C. RELEASE	DESCRIPTION	DATE	B Y	SCALE 1/2" = 1'-0"	USED ON:	FLEETWOOD PAGE NO. 721-19-95919 RECREATIONAL VEHICLE GROUP SHEET 3 OF 5 TITLE HARNESS ROUTING DIAGRAM 120V INTERIOR
				DRAWN Brian T. DATE 03-24-98		
				PROJECT 99721300		
99-00		04-02-98	BT	PLOT 04/02/98 15:25:58 01 tuckeb	AUX INFO	



D.C. RELEASE	DESCRIPTION	DATE	B	SCALE: 1/2" = 1'-0"	USED ON:	FLEETWOOD PAGE NO. 721-19-95919
				DRAWN: Brian T. DATE: 03-24-98		RECREATIONAL VEHICLE GROUP SHEET 4 OF 5
99-00		04-02-98	BT	PROJECT: 99721302		TITLE: HARNESS ROUTING DIAGRAM
99-02		06-05-98	DP	PLOT: 06/05/98 11:45:29 01 pend	AUX INFO	120V INTERIOR



2.41